

GET-70DN Latch With Indicator

Features

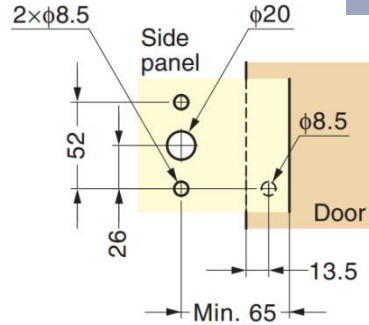
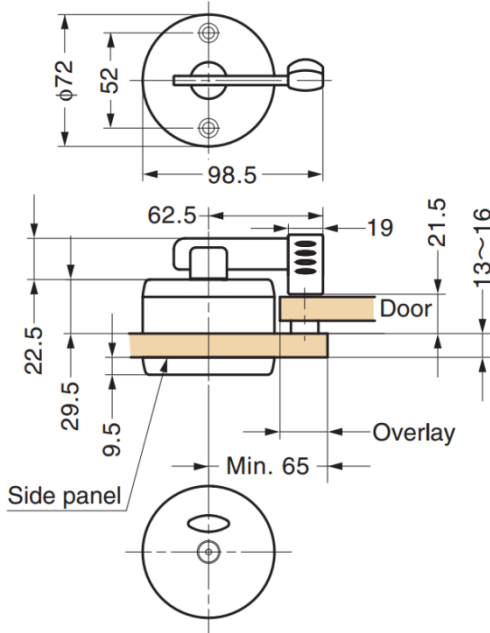
- For inward opening
- Overlapped door application

Notes

- Use optional spacer to suit required door thickness

Parts Included

- Hex key



Screw and Spacer Recommended

- Body: Hexagon top bolt

Door Thickness	Inward Opening						Outward Opening					
	13			16			13			16		
Side Board Thickness	13	16	20	13	16	20	13	16	20	13	16	20
Hexagon Top Bolt (2 pcs)	M5x45	M5x45	M5x50	M5x45	M5x50	M5x55	M5x45	M5x45	M5x50	M5x45	M5x50	M5x55
GET-7 Spacer (Optional)	0	0	0	0	0	0	0	0	1	0	0	1
GET-3 Spacer (Optional)	0	0	0	1	1	1	0	1	0	0	1	0

- Door Stopper : Hexagon socket button head screw M4×10 (Sideboard thickness 13, 16 mm), M4×16 (Outside opening, sideboard thickness 20 mm), M4 washer.

Body

Part No.	Door / Panel Thickness	Material	Finish
GET-70DN	Door: 13, 16 Side Panel: 13, 16, 20	Stainless Steel 304	Satin

Spacer (Sold Separately)

Part No.	Material	Colour	Thickness
GET-3	ABS	Black	3
GET-7			7